



## SL 100/200 Series

Grade 1 and Grade 2  
Cylindrical Locksets



YEARS OF DOOR HARDWARE DISTRIBUTION

[www.sentineldoor.com](http://www.sentineldoor.com) | [sales@sentineldoor.com](mailto:sales@sentineldoor.com)  
phone - 1.800.327.7848 fax - 1.888.412.3667

# Sentinel Door Controls LLC

Representing The Brands You Trust



1.800.327.7848 p  
www.sentineldoor.com | sales@sentineldoor.com

1.888.412.3667 f

# SL100 Series

## Grade 1 Cylindrical Lockset



**SENTINEL**  
DOOR CONTROLS, LLC

A cylindrical lock for heavy-duty commercial applications.



Heavy duty individual compression spring on each rose reduce lever wobble and droop. Prevents lever sag, maintain reliability, and reduces maintenance

### Specifications

#### Handing

Non-handed.

#### Applications

For commercial, institutional and industrial use, such as schools, hospitals and factories, where a long life of dependable operation must be combined with a high degree of resistance to physical abuse.

#### Door Thickness

1-3/8" up to 2" (35mm-51mm) standard Backset

2-3/4" (70mm) standard or 2-3/8" (60mm) optional

#### Faceplate

1-1/2" x 2-1/4" (28mm x 57 mm) square corner, beveled, for 2-3/4" (70mm) backset standard 1" x 2-1/4" (25mm x 57mm) - square corner, beveled, for 2-3/8" (60mm) backset optional

#### Latch Bolt

1/2" (Bmm) throw solid brass, deadlocking on keyed and Non-keyed functions

#### Exposed Trim

Levers: Pressure cast zinc, plated to match finish symbols. Roses: Wrought brass and bronze or zinc, stainless steel

#### Lever design

"L"

#### Rose Diameter & Design

3-9/16" (90mm) diameter, "Flat & Round" Rose

#### Strike

ANSI Curved lip strike 1-1/4" x 4-7/8" x

1-3/16" (32mm x 124mm x 30mm) lip to center standard.

#### Cylinder

5 & 6-pin solid brass "Schlage C" keyway standard with two brass keys per lock.

#### Interchangeable-Core (IC)

Small Format Interchangeable Core locks will accept compatible 6 or 7 pin cores with BEST & FALCON.

**Finish** US26D

**10 Per Box | Case**  
**ANSI/BHMA Grade 1**

## Performance features

- Tested to exceed 4,000,000 cycles, greatly exceeding the 1,000,000 cycle ANSI Grade I requirement.
- Exceeds ANSI A 156.2 Series 4000 Grade 1 locked lever torque requirement.
- Fixed thru-bolt mechanism for positive interlock to door.
- Clutch function (Entry / Storeroom / Classroom) have free-wheeling levers to resist force when locked.

### ANSI

Certified ANSI/BHMA A156.2 Series 4000, Grade 1 strength and operational requirements

### ADA

All levers conformed ADA requirements for barrier-free accessibility

### UL / cUL

UL listed to U.S.A and Canadian safety standards Listed for 3 Hour Doors. Letter F and UL symbol latch fronts indicate listing.

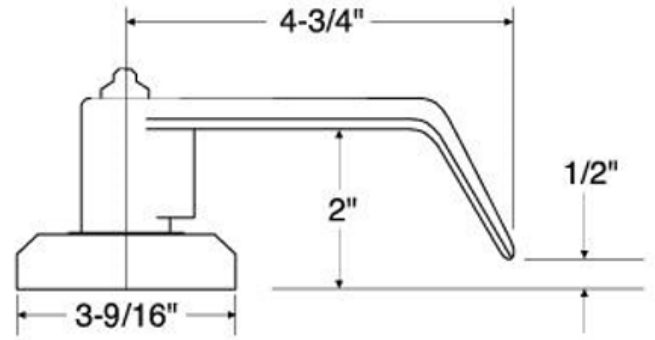
### Positive Pressure

Meets UL IOC and UBC7-2(1997)

### California State Reference Code

All levers with less than 1/2" (13mm) return comply: Levers return to within 1/2" (13mm) door face

## Dimensions



### ANSI F82 ENTRY/OFFICE LOCK SL153

- Push button locking.
- Pushing button locks outside lever until unlocked by key or by turning inside lever



### STOREROOM LOCK SL180

- Outside lever fixed.
- Entrance by key only
- Inside lever always unlocked.



### CLASSROOM LOCK SL170

- Outside lever locked and unlocked by key.
- Inside lever always unlocked.



### PASSAGE LATCH SL110

- Both levers always unlocked



### PRIVACY LOCK SL140

- Push-button locking.
- Can be opened from outside with a small screwdriver
- Turn inside lever or close the door to release button



## Sentinel Door Controls

1.800.327.7848 phone | 1.888.412.3667 fax  
 sales@sentineldoor.com | www.sentineldoor.com

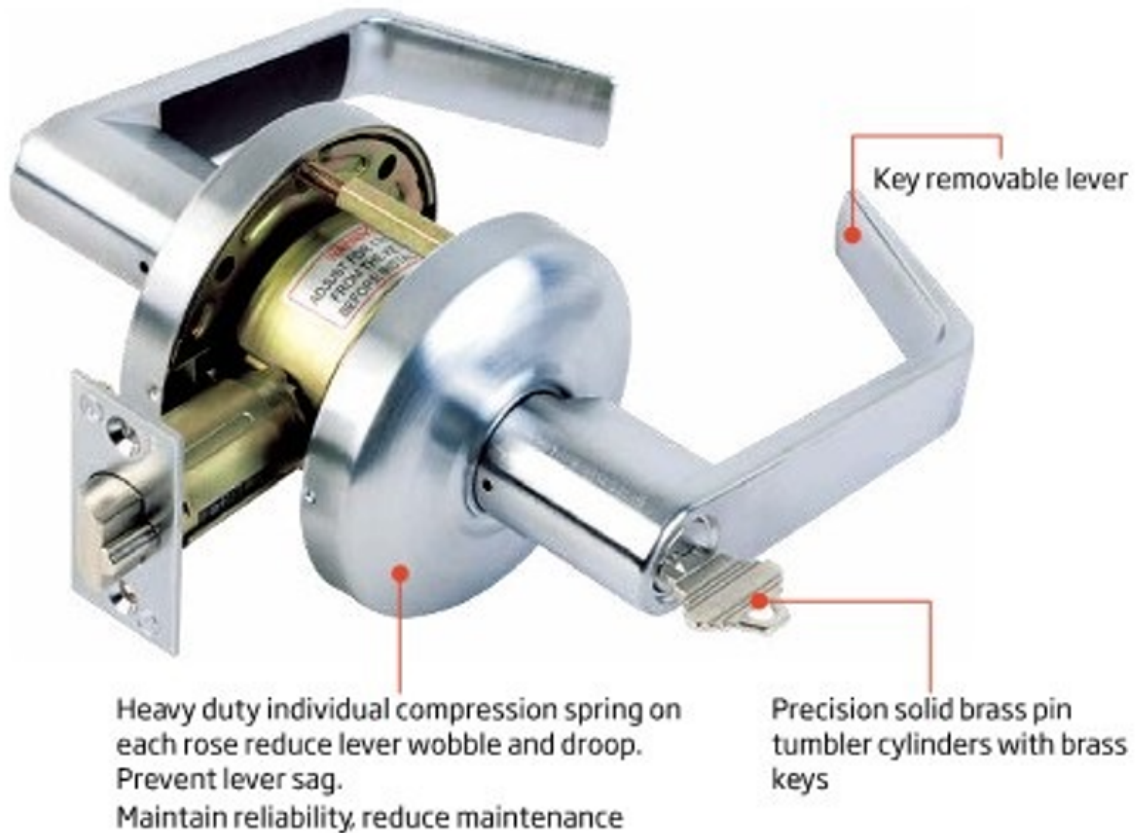
# SL200 Series

## Grade 2 Cylindrical Lockset



**SENTINEL**  
DOOR CONTROLS, LLC

A cylindrical lock for medium-duty commercial applications.



### Specifications

#### Handing

Non-handed.

#### Applications

For offices, schools, hospitals, apartments, hotel/motels, and other public buildings.

#### Door Thickness

1-3/8" up to 2" (35mm-51mm) standard

#### Backset

2-3/4" (70mm) standard or 2-3/8" (60mm) optional

#### Faceplate

1-1/8" x 2-1/4" (28mm x 57mm) square corner, beveled, for 2-3/4" (70mm) backset standard  
1" x 2-1/4" (25mm x 57mm) - square corner, beveled, for 2-3/8" (60mm) backset optional

#### Latch Bolt

1/2" (8mm) throw solid brass, deadlocking on keyed and Non-keyed functions

#### Exposed Trim

Levers: Pressure cast zinc, plated to match finish.

Roses: Wrought brass and bronze.

#### Lever design

"L"

#### Rose Diameter & Design

3-9/16" (90mm) diameter, "Flat & Round" Rose

#### Strike

ANSI Curved lip strike 1-1/4" x 4-7/8" x 1-3/16" (32mm x 124mm x 30mm) lip to center standard.

#### Cylinder

5 & 6-pin solid brass "Schlage C" keyway standard with two brass keys per lock.

#### Interchangeable-Core (IC)

Small Format Interchangeable Core locks will accept compatible 6 or 7 pin cores with BEST & FALCON.

#### Finish

US26D

**10 Per Box | Case**  
**ANSI/BHMA Grade 2**

## Performance features

- Tested to exceed 400,000 cycles for ANSI Grade 2 requirement.
- Exceed ANSI A 156.2 Series 4000 Grade 2 locked lever torque requirement.
- Screw type true through-bolts are provided and recommended for use on high frequency doors.
- Removable through-bolt preventing loosening of the lockset by securely bolting chassis to the door and disengagement from latch.

### ANSI

Certified ANSI/BHMA A156.2 Series 4000, Grade 1 strength and operational requirements

### ADA

All levers conformed ADA requirements for barrier-free accessibility

### UL / cUL

UL listed to U.S.A and Canadian safety standards Listed for 3 Hour Doors. Letter F and UL symbol latch fronts indicate listing.

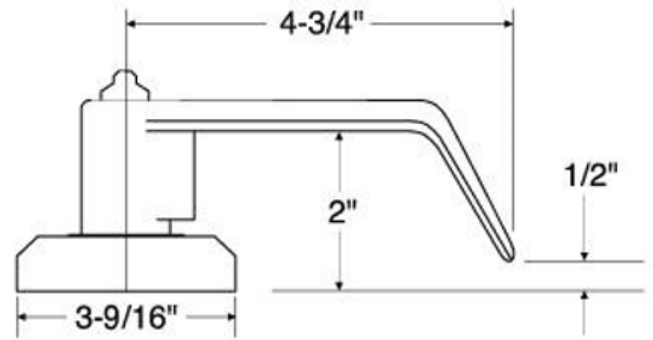
### Positive Pressure

Meets UL IOC and UBC7-2(1997)

### California State Reference Code

All levers with less than 1/2"(13mm) returns comply Levers return to within 1/2'(13mm) door face.

## Dimensions



### ENTRY/OFFICE LOCK SL253

- Push button locking.
- Pushing button locks outside lever until unlocked by key or by turning inside lever



### STOREROOM LOCK SL280

- Outside lever fixed
- Entrance by key only
- Inside lever always unlocked.



### CLASSROOM LOCK SL270

- Outside lever locked and unlocked by key.
- Inside lever always unlocked.



### PASSAGE LATCH SL210

- Both levers always unlocked



### PRIVACY LOCK SL240

- Push-button locking.
- Can be opened from outside with a small screwdriver
- Turn inside lever or close door to release and unlock



**Sentinel Door Controls**

1.800.327.7848 phone | 1.888.412.3667 fax  
sales@sentineldoor.com | www.sentineldoor.com