

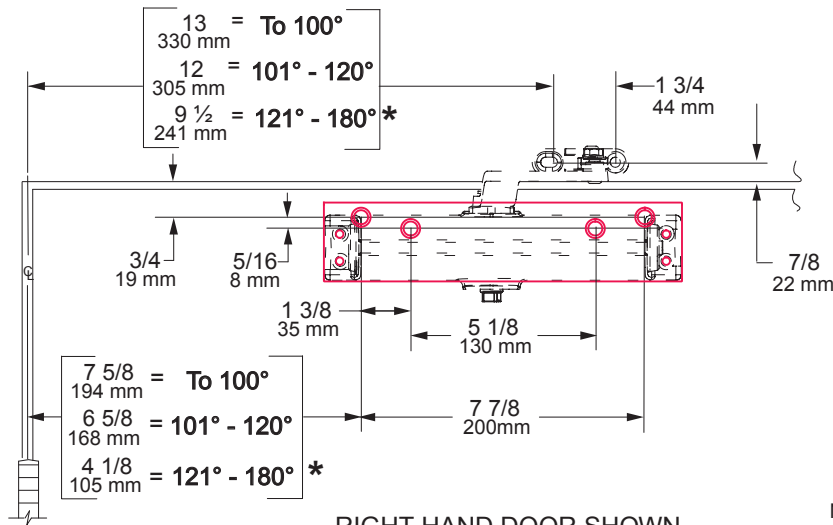
Sentinel 5000 Series Drop Plate Installation Instructions



SENTINEL
DOOR CONTROLS, LLC

5000 PULL SIDE (DOOR MOUNT) DROP PLATES

**PULL SIDE ARM MOUNTED ON:
5000-18 DROP PLATE**

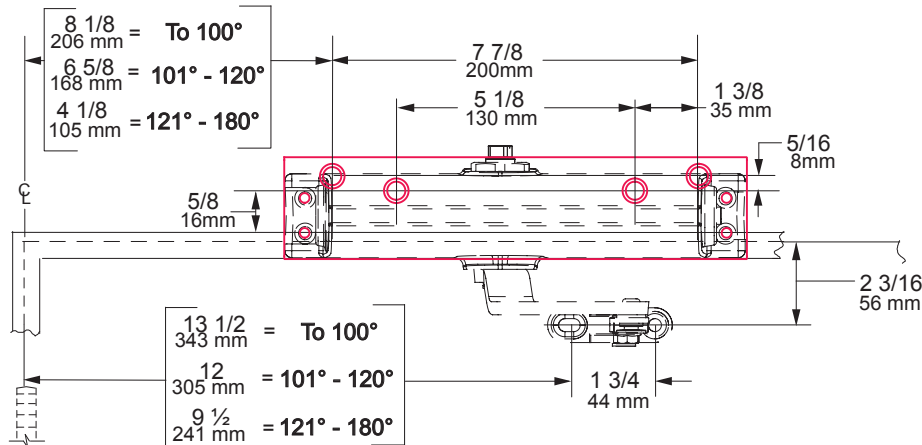


RIGHT HAND DOOR SHOWN
LEFT HAND DOOR OPPOSITE

NOTES -
1. MINIMUM TOP RAIL HEIGHT IS 1 1/2".
* 2. TRIM PERMITTING.

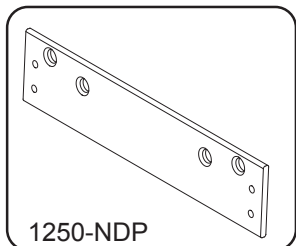
5000 PUSH SIDE (TOP JAMB) DROP PLATES

**PUSH SIDE ARM MOUNTED ON:
5000-NDP DROP PLATE**



LEFT HAND DOOR SHOWN
RIGHT HAND DOOR OPPOSITE

NOTES -
1. MINIMUM FACE FRAME IS 1 3/8".

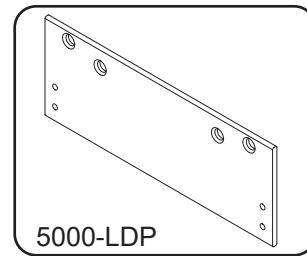
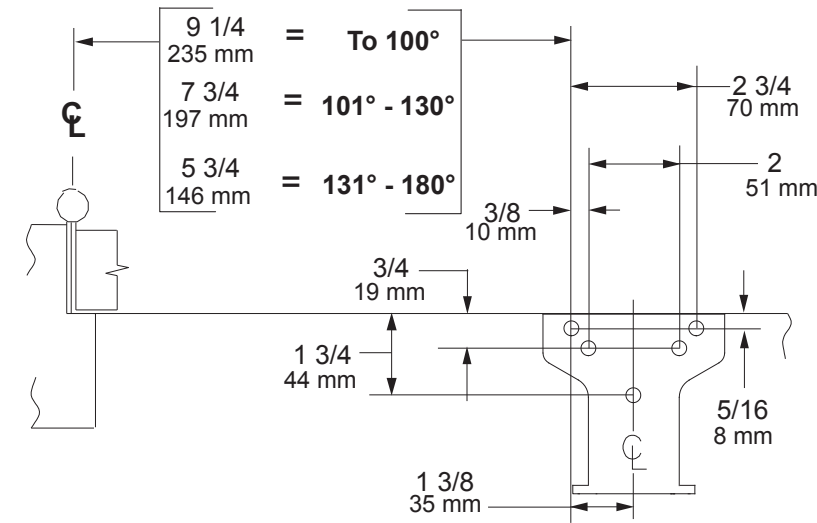


GENERAL NOTES:

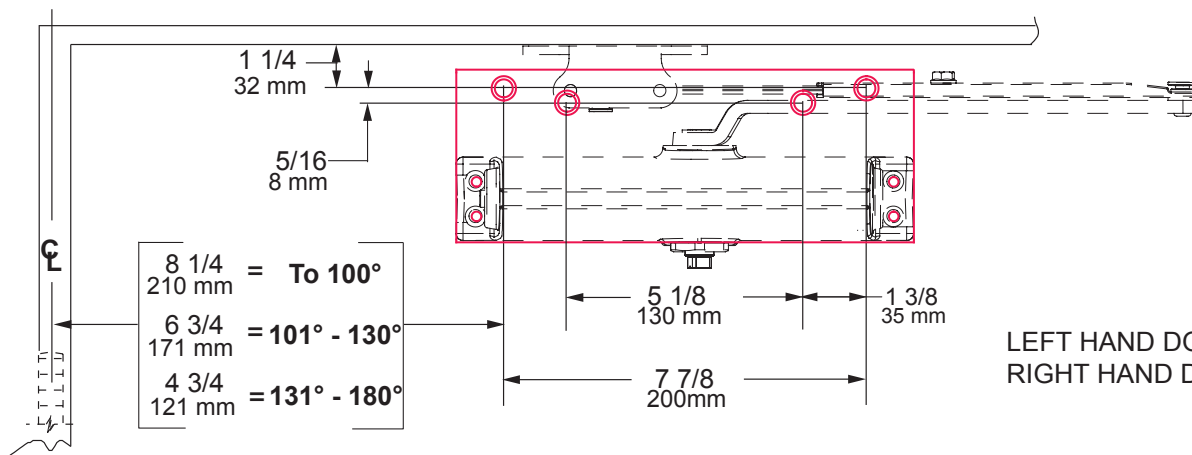
1. ON TOP JAMB & HINGE FACE MOUNTS. LOCATE CLOSER & SHOE FROM CENTERLINE OF PIVOT OR SWING CLEAR HINGE PIN WHEN USED.
2. ON TOP JAMB MOUNTING WHEN OVERHEAD STOP IS USED, SHOE MUST BE LOWERED TO CLEAR HOLDER.
3. FOR 180° OPENING, MAX BUTT SIZE IS 5" X 5"
4. REINFORCING PER ANSI/SDI-100 RECOMMENDED FOR HOLLOW METAL DOORS AND FRAMES.

5000 SERIES PUSH SIDE (DOOR MOUNT) DROP PLATES

**PUSH SIDE PARALLEL ARM MOUNTED ON:
5000-LDP DROP PLATE**



NOTES -
1. MINIMUM TOP RAIL 2 1/2".



LEFT HAND DOOR SHOWN
RIGHT HAND DOOR OPPOSITE

GENERAL NOTES:

1. Locate closer & shoe from centerline of pivot or swing clear hinge pin when used.
2. For 180° opening on hinge face mounts, max butt size is 5" x 5".
3. Reinforcing per ANSI/SDI-100 recommended for hollow metal doors and frames.

sales@sentineldoor.com
estimating@sentineldoor.com
1-800-327-7848 phone



SENTINEL
DOOR CONTROLS, LLC