



Sentinel Door Controls, LLC

Phone 1.800.327.7848
Fax 1.888.412.3667

sales@sentineldoor.com
estimating@sentineldoor.com
www.sentineldoor.com

4016 Series Door Closer



Features

- Cast Iron Body
- Rack-and-pinion design
- Non-handed
- Adjustable Power: BF-6
- Built-in Back check
- Forged steel arm
- Independent latch, sweep, and back-check
- Option Arm: CUSH / HCUSH / HOA

STANDARD FEATURES

• Cast Iron Body

Closer bodies are constructed of high grade cast iron that can stand up to the constant use and abuse.

• Rack & Pinion Operation

Provides a smooth constant control of the door through its full opening and closing cycle. 180° door swing can be achieved when door, frame, hardware and arm function do not interfere

• Non-handed

With few exceptions all 4016 Series door closers are non-handed and can be installed on either right or left hand swing doors. Pinion shaft extends vertically through the closer body in both directions.

• Sweep Speed Control Valve

Allows adjustment of door speed from the door's full open position down to approximately 10% from the closed position.

• Latch Speed Control Valve

Allows adjustment of door speed from approximately 10° down to the door's fully closed position.

- ANSI/BMHA A156.4, Grade 1 certified.
- UL /cUL listed.
- UL10C listed for positive pressure fire test.
- 4016 (BF-6) model is designed to comply with requirements for the Americans with Disability Act (A.D.A) and ANSI standard A117.1.

• **Tri-Packed**

4016 Series come with screws, brackets and soffit plates to allow for regular, top jamb, and parallel arm installations

• **Adjustable Back-check Valve**

Provides control of the door in the opening cycle, beginning at approximately 75° of door opening. It cushions the door opening when the door is forcibly opened beyond its pre-adjusted limits.

• **Molded Cover**

Molded high impact material. These covers are non-handed for all applications.

• **Multi-Sized Door Closer**

Adjustable through the power range of sizes BF - 6. 4016 (BF-6) also conforms to the BF opening force requirements of the A.D.A and ANSI/BHMA standard A117.1 for interior doors.

• **Hold Open**

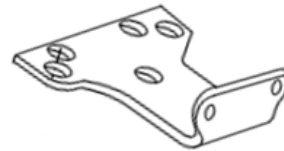
Achieved by means of friction or ball and detent / roller. Friction hold open has a range of 90° to 180° using a template location and mechanical adjustment. Hold open arm door closers are not permitted to be used on fire door assemblies.

STANDARD PARTS

BODY (No.: 4016) FORGED SLEEVE ARM (No.: FGA1) COVER (No.: CV5)



PA BRACKET (No.: PB50)



OPTIONAL PARTS AVAILABLE SPECIAL ORDER

RF7 (No.: HOA)



CUSHION ARM (No.: CUSH)

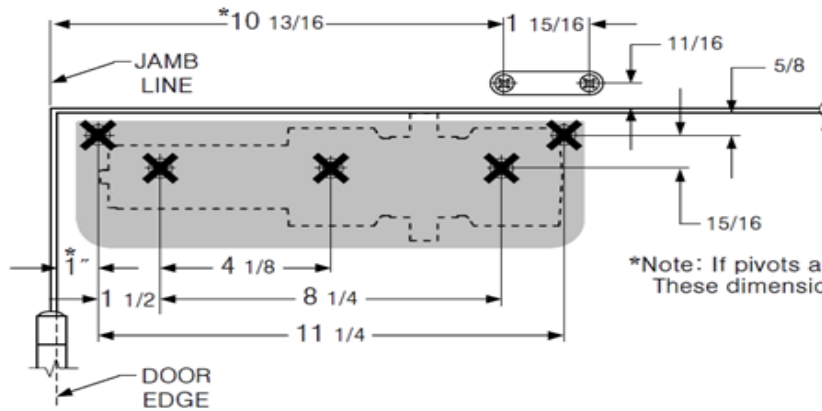


CUSHION HO ARM (No.: HCUSH)

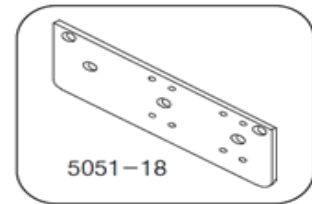


DROP PLATE: DP18 (OPTION)

**PULL SIDE (DOOR JAMB) DROP PLATE
PERMITS 120° MAXIMUM OPENING**

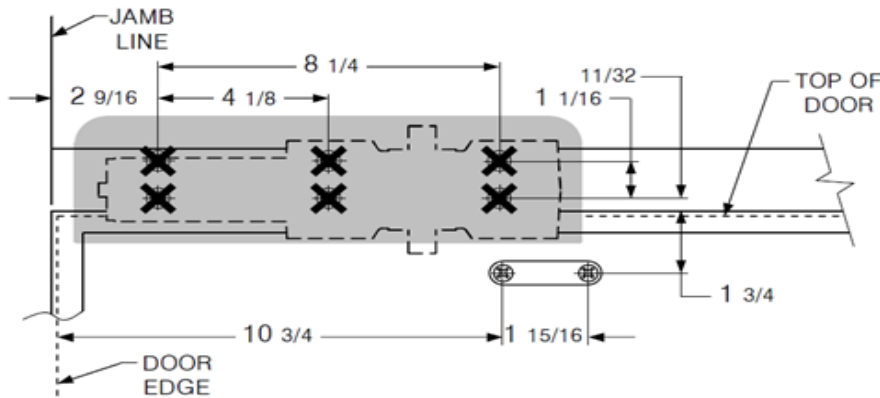


**PULL SIDE MOUNT ON:
5051-18 DROP PLATE**

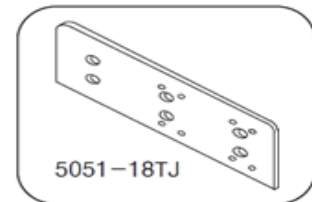


DROP PLATE: DP18TJ (OPTION)

**PUSH SIDE (TOP JAMB) DROP PLATE
PERMITS 120° MAXIMUM OPENING**

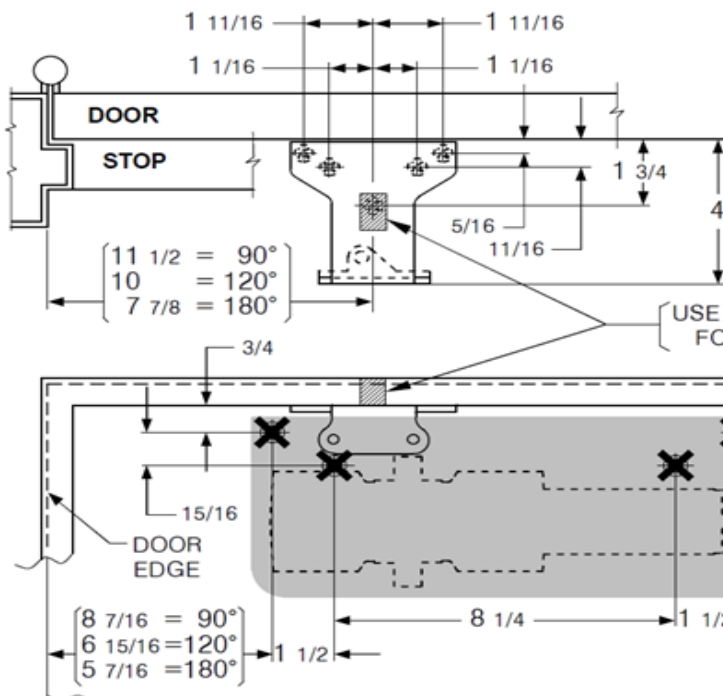


**PUSH SIDE MOUNT ON:
5051-18TJ DROP PLATE**



DROP PLATE: DP18PA

**PUSH SIDE (DOOR MOUNT) DROP PLATE
PERMITS 180° MAXIMUM OPENING**



**PUSH SIDE MOUNT ON:
5051-18PA DROP PLATE**

IMPORTANT

USE SPACER BLOCK (OPTION) PROVIDED FOR FIFTH SCREW. 1/2 OR 5/8

