

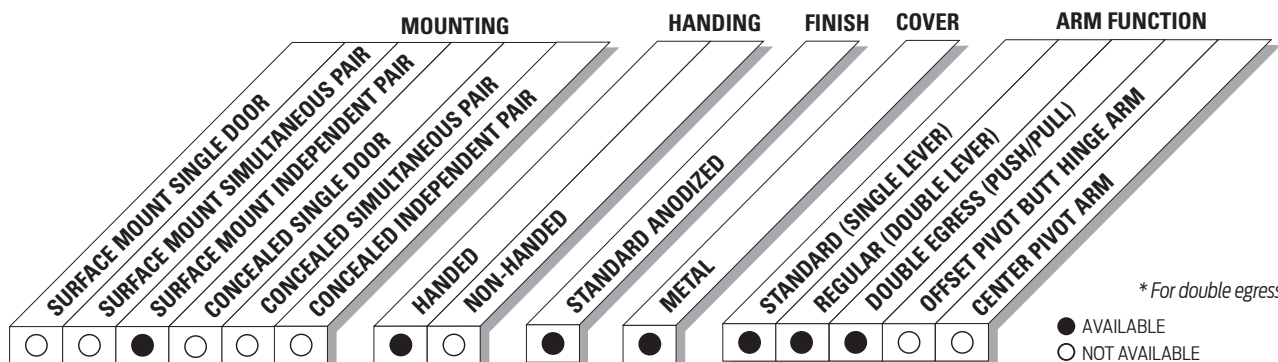


The 9560 SENIOR SWING by LCN is an ADA door operator that is a two-in-one swing door operator. SENIOR SWING operators when activated, opens doors automatically for wheelchair access, yet allows for manual operation for regular pedestrian traffic.

Certifications	Grade 1 - ANSI A156.19, UL325/228, UL1998, ADA, 100 Hour Salt Spray, Meets BAA - Buy American Act	Cover	Metal, Standard
Handing	Handed	Fasteners	Machine screw pack
Warranty	2 years	Mounting	Independent pair, surface, pull, push, double egress
		Arms	Single lever (push side), Double lever (Pull Side), Double egress (Push/Pull)
		Finishes/Colors/ Powder Coat	<ul style="list-style-type: none"> ■ Anodized Aluminum ■ Anodized Dark Bronze

**Special
Templates**

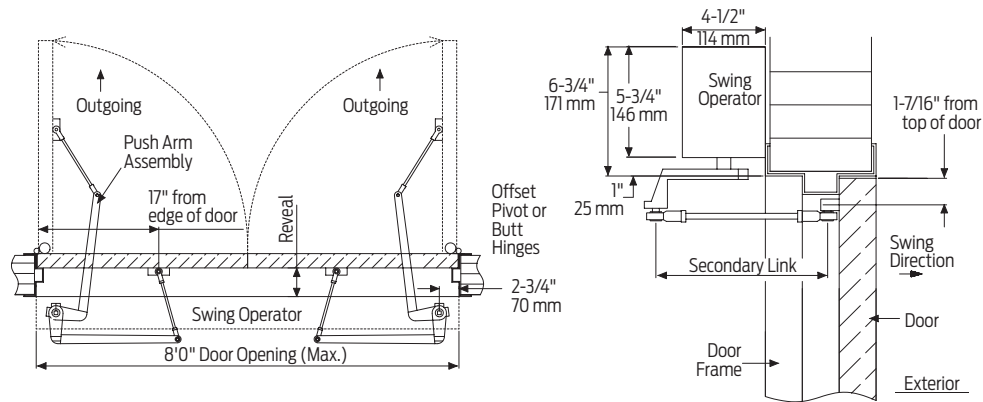
Customized installation templates or products may be available to solve unusual applications. Contact LCN Product Support for assistance.



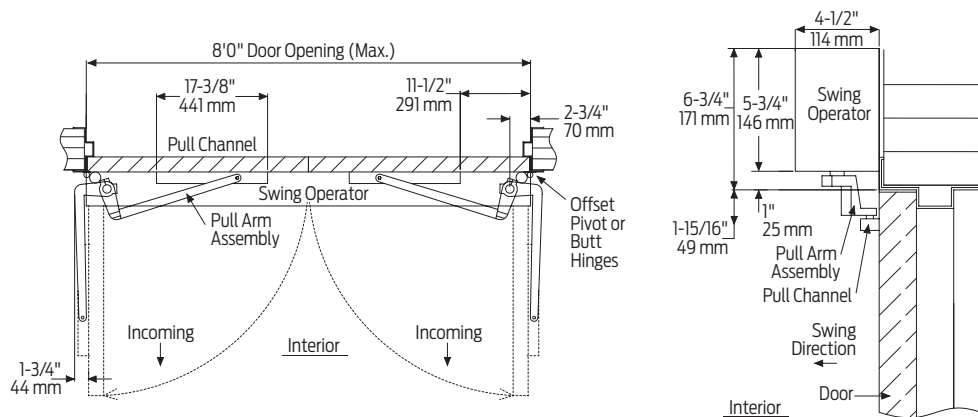
9560 Series Senior Swing

Mounting details

Top Jamb Independent Pair Mounting



Offset pivot/butt hinge, center pivot, push
Consult factory for all balanced door installations.



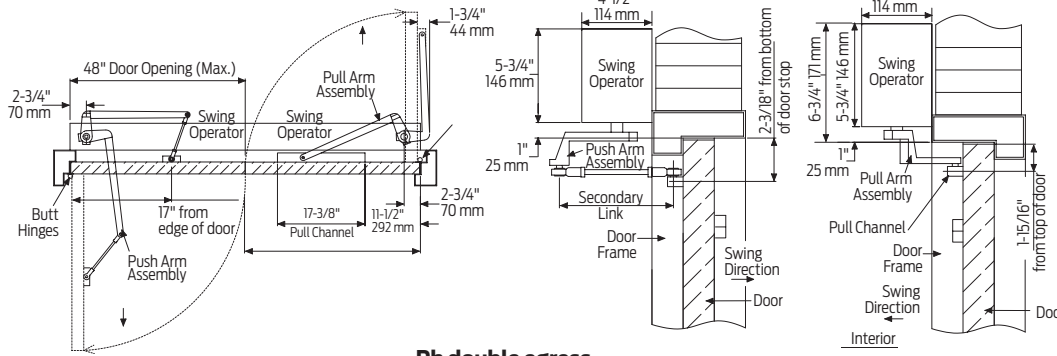
Offset pivot/butt hinge, center pivot, pull

NOTE: Cannot be used with swing clear hinges, pocket pivots or balanced doors.

Butt Hinges	Should not exceed 5" (127 mm) in width
Reveal for push	Should not exceed 10" (254 mm) for REGULAR ARM and 20" (508 mm) for LONG ARM
Reveal for pull	Should not exceed 4" (102 mm)
Reveal	Double egress installations should not exceed 4" (102 mm)
Head Frame	<ul style="list-style-type: none"> Minimum 1-3/4" (44 mm) Face frame 6-3/4" (171 mm) total operator clearance
Top Rail	Minimum 2-3/4" (70 mm)
Opening and Closing Time	<ul style="list-style-type: none"> Variable by adjustments to the electronic control box Maximum hold open time adjustable up to approximately 32 seconds.
System Diagram	See "AUTOMATIC OPERATORS" section page 51 for typical system wiring and page 53 for electrical data
Maximum Opening	Template allows 90 degree power opening and 90 degree manual opening

Notes:

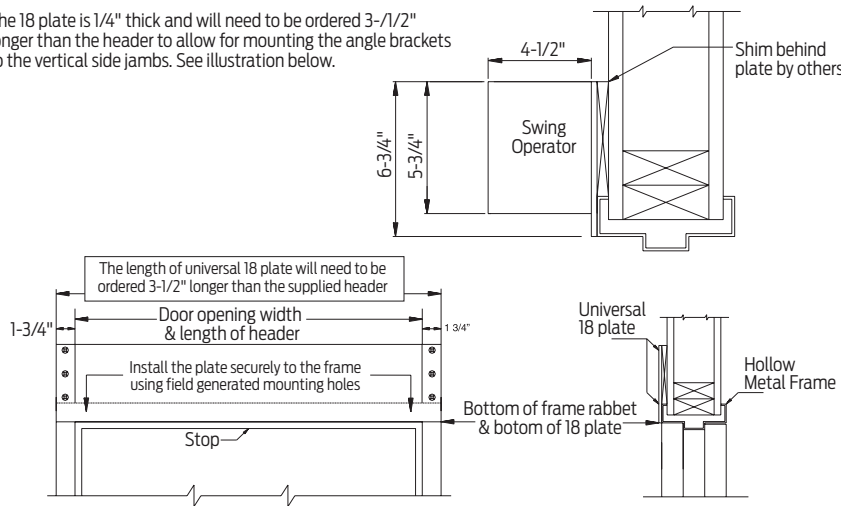
- Push N' Go permits non-switch activation with a power boost providing additional latching force
- Electromechanical unit with microprocessor control
- Digital keypad for easy setup
- 72" header length is standard. Specify 65" - 98" max
- Pull, push, or double egress applications available
- Adjustable hold open period of 2 - 32 seconds in automatic or manual mode
- Actuators available separately, see pages 115-131



Rh double egress

NOTE: Cannot be used with swing clear hinges, pocket pivots or balanced doors.

The 18 plate is 1/4" thick and will need to be ordered 3-1/2" longer than the header to allow for mounting the angle brackets to the vertical side jambs. See illustration below.



Hollow metal frame
Suggested Installation.

Butt Hinges	Should not exceed 5" (127 mm) in width
Reveal for push	Should not exceed 10" (254 mm) for REGULAR ARM and 20" (508 mm) for LONG ARM
Reveal for pull	Should not exceed 4" (102 mm)
Reveal	Double egress installations should not exceed 4" (102 mm)
Head Frame	<ul style="list-style-type: none"> Minimum 1-3/4" (44 mm) Face frame 6-3/4" (171 mm) total operator clearance
Top Rail	Minimum 2-3/4" (70 mm)
Opening and Closing Time	<ul style="list-style-type: none"> Variable by adjustments to the electronic control box Maximum hold open time adjustable up to approximately 32 seconds.
System Diagram	See "AUTOMATIC OPERATORS" section page 51 for typical system wiring and page 53 for electrical data
Maximum Opening	Template allows 90 degree power opening and 90 degree manual opening

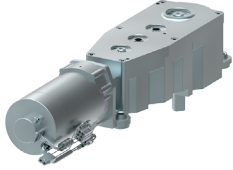
Notes:

- Push N' Go permits non-switch activation with a power boost providing additional latching force
- Electromechanical unit with microprocessor control
- Digital keypad for easy setup
- 72" header length is standard. Specify 65" - 98" max
- Pull, push, or double egress applications available
- Adjustable hold open period of 2 - 32 seconds in automatic or manual mode
- Actuators available separately, see pages 115-131

9560 Series Senior Swing

Accessories

Motor Gearbox



9560-3454
Motor Gearbox

- Senior swing
- Handed
- Driving mechanism for operator
- Provides maximum 15 lbs opening force

Mounting Brackets



9560-275
Mounting Bracket

- Motor gearbox mounting bracket for 2-3/4" center pivot installations
- Front bracket



9560-3018
Rear Mounting Bracket

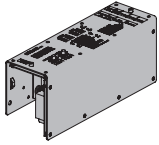
- Motor gearbox mounting bracket



9560-334-1
Angled Bracket

- Mounting bracket for surface applications
- Includes 2 mounting brackets

Control Box



9560-3462
Control Box

- Electronic controlling device for Senior Swing

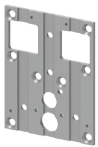
Header



9560-3572HL
Header

- Pair door, two operators
- Specify length 65" to 98" maximum
- Standard

End Caps



9560-334
Header End Caps

- With openings for wiring



9560-334-2
End Dress Plate

- Metal finish end cap

Tracks



**9560-3038
Track**

- Non-handed
- Standard



**9560-73
Track End Cap**

- Black plastic end caps



**9560-3034
Roller**

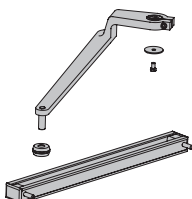
- Quiet low friction roller assembly

Arms



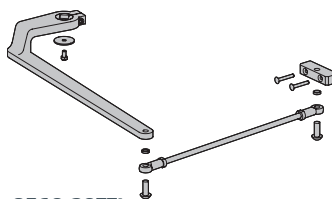
**9560-3077T
Standard Arm**

- Handed
- Track roller not included



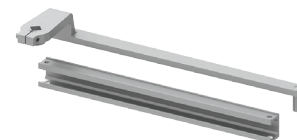
**9560-3077
Regular Arm Assembly**

- Handed
- Includes 77 main arm assembly and 79 linkage assembly



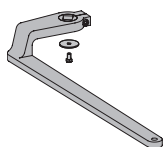
**9560-3077L
Regular Long Arm Assembly**

- Handed
- Includes 77 main arm assembly and 79LR linkage assembly



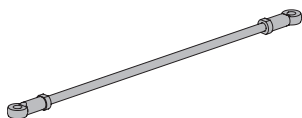
**9560-3077PLCM
Standard Arm Assembly**

- Handed
- Includes 3077 regular arm assembly, 3038 track, and 3034 track roller



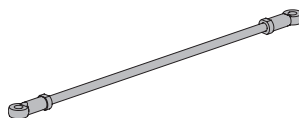
**9560-77
Main Arm**

- Handed
- Attaches to motor gearbox



**9560-79
Linkage Assembly**

- 15"
- Threaded rod attaches to door
- Extends from main arm
- Used for reveal 1" to 10"



**9560-79LR
Linkage Assembly**

- 32"
- Threaded long rod attaches to door
- Extends from main arm.
- Used for reveal 10" to 20"

Installation Accessories



**9560-11A
Spindle Plate**

- Hides bottom of motor gearbox
- Completes header box
- Cutout allows for motor gearbox shaft
- For 2-3/4" offset pivot or butt hinge installations



**9560-12
Filler Plate**

- Blank
- Completes length of header box
- Specify length



**9560-18
Mounting Plate**

- Optional mounting plate for standard hollow metal door frames
- Specify length 68-1/2" to 101-1/2" maximum when using angle brackets
- Specify length 65" to 98" maximum when using dress plates.

NOTE: The length of a universal 18 plate will need to be ordered 3-1/2" longer than the supplied header when using angle brackets.

9560 Series Senior Swing

Ordering Information

How-to-order 9560 Series

Specify hand

- RH
- LH

Specify header/length

- HL__ (Specify length 65" to 98") regular or long arm

Specify finish

- Standard Anodized Finish _____
Aluminum or Dark Bronze

Operator will be shipped with:

- Standard motor gearbox (SF) (2 ea)
 - Standard control box (SC)
 - Metal cover (at specified length 72" standard)
 - Regular arm (2 ea)
 - 2-3/4" pivot point
 - Machine screw pack
- unless options listed below are selected.

Operator options

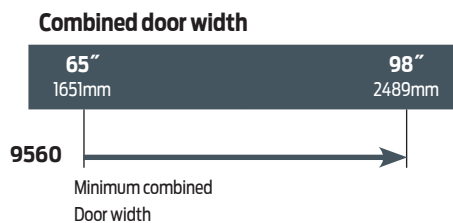
Mounting plate

- Plate, __ (Specify Length 65" to 101-1/2")

Arm

- Standard Arm (2 ea) w/Standard Track (2 ea)
- Double Egress - Includes Standard Arm w/Track (1 ea) & Regular Arm (1 ea)
- Long Arm (3077L)

Table of sizes



→ Indicates recommended range of door width for operator.

*NOTE: For all Senior Swing Series
Independent Pair – Width per leaf 30" minimum to 48" maximum.*