



Sentinel Door Controls, LLC

Phone 1.800.327.7848
Fax 1.888.412.3667

sales@sentineldoor.com
estimating@sentineldoor.com
www.sentineldoor.com

4016 Series Door Closer



Features

- Cast Iron Body
- Rack-and-pinion design
- Non-handed
- Adjustable Power: BF-6
- Built-in Back check
- Forged steel arm
- Independent latch, sweep, and back-check
- Option Arm: CUSH / HCUSH / HOA

STANDARD FEATURES

• Cast Iron Body

Closer bodies are constructed of high grade cast iron that can stand up to the constant use and abuse.

• Rack & Pinion Operation

Provides a smooth constant control of the door through its full opening and closing cycle. 180° door swing can be achieved when door, frame, hardware and arm function do not interfere

- ANSI/BMHA A156.4, Grade 1 certified.
- UL /cUL listed.
- UL10C listed for positive pressure fire test.
- 4016 (BF-6) model is designed to comply with requirements for the Americans with Disability Act (A.D.A) and ANSI standard A117.1.

FINISHES AVAILABLE

(AL) ALUMINUM
(DU) DARK BRONZE
(BLK) MATTE BLACK

• Non-handed

With few exceptions all 4016 Series door closers are non-handed and can be installed on either right or left hand swing doors. Pinion shaft extends vertically through the closer body in both directions.

• Sweep Speed Control Valve

Allows adjustment of door speed from the door's full open position down to approximately 10° from the closed position.

• Latch Speed Control Valve

Allows adjustment of door speed from approximately 10° down to the door's fully closed position.

• **Tri-Packed**

4016 Series come with screws, brackets and soffit plates to allow for regular, top jamb, and parallel arm installations

• **Adjustable Back-check Valve**

Provides control of the door in the opening cycle, beginning at approximately 75° of door opening. it cushions the door opening when the door is forcibly opened beyond its pre-adjusted limits.

• **Molded Cover**

Molded high impact material. These covers are non-handed for all applications.

• **Multi-Sized Door Closer**

Adjustable through the power range of sizes BF 1- 6. 4016 (1-6) also conforms to the BF opening force requirements of the A.D.A and ANSI/BHMA standard A117.1 for interior doors.

• **Hold Open**

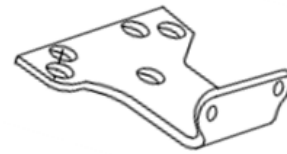
Achieved by means of friction or ball and detent / roller. Friction hold open has a range of 90° to 180° using a template location and mechanical adjustment. Hold open arm door closers are not permitted to be use on fire door assemblies.

STANDARD PARTS

BODY (No.: 4016) FORGED SLEEVE ARM (No.: FGA1) COVER (No.: COV4016)



PA BRACKET (No.: PAB4016)



OPTIONAL ARM PACKAGES

HOLD OPEN (No.: HOA)



CUSHION ARM (No.: CUSH)

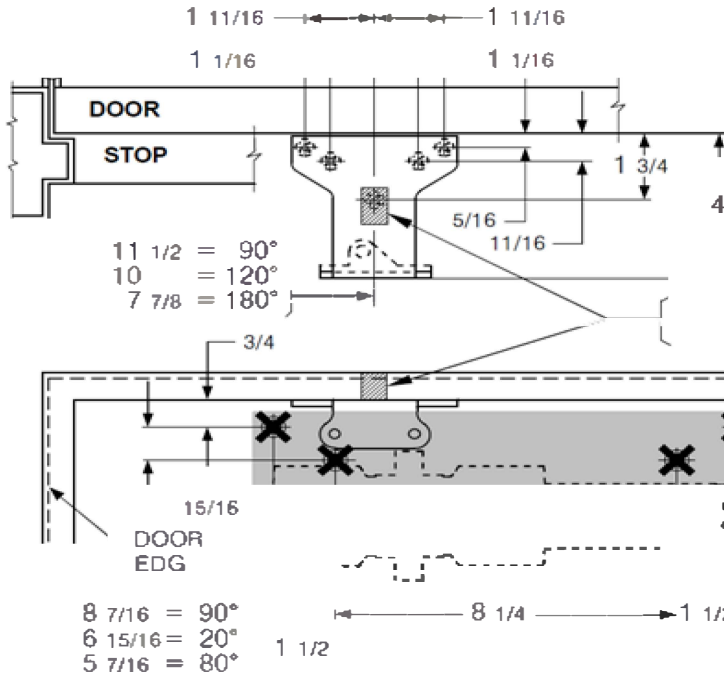


CUSHION HO ARM(No: HCUSH)

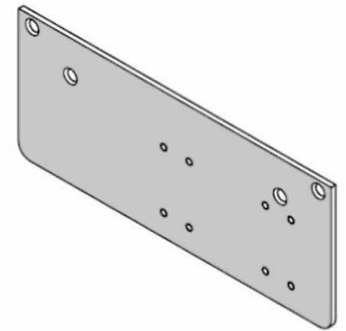


DROP PLATE: PARALLEL ARM MOUNT

PUSH SIDE (DOOR MOUNT) DROP PLATE PERMITS 180° MAXIMUM OPENING

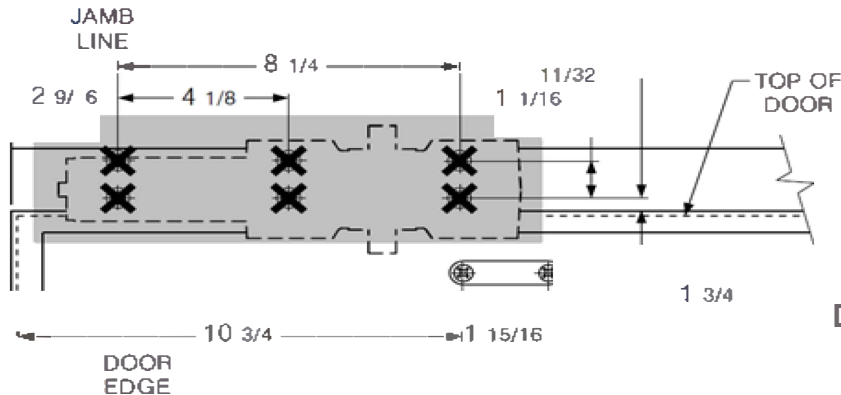


**PUSH SIDE MOUNT ON:
DP401618PA DROP PLATE**

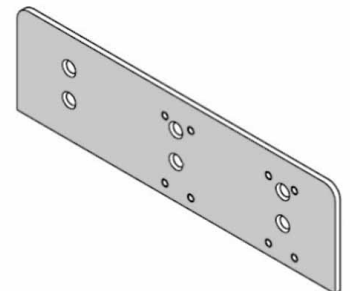


DROP PLATE: TOP JAMB MOUNT

PUSH SIDE (TOP JAMB) DROP PLATE PERMITS 120° MAXIMUM OPENING

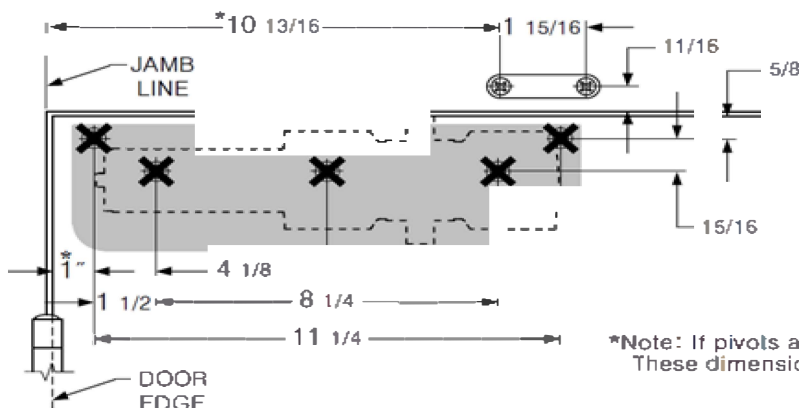


**PUSH SIDE MOUNT ON:
DP401618TJ DROP PLATE**

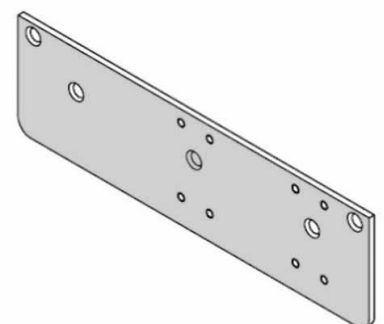


DROP PLATE: PULL SIDE MOUNT

PULL SIDE (DOOR JAMB) DROP PLATE PERMITS 120° MAXIMUM OPENING



**PULL SIDE MOUNT ON:
DP401618 DROP PLATE**



*Note: If pivots are used, Increase These dimensions by 1/8"

Facilities that require superior door closing performance demand Yale. With its modern design and adjustable operation, the **Sentinel** 4016 Series Cast Iron Door Closers provide an attractive solution for retail, office, government and other commercial facilities.

Heavy-duty and hold open arms, along with adjustable spring size, backcheck, closing and latch speed, provide a flexible and economical closer that you can trust for dependable service. The 5800 Series is certified to ANSI/BHMA Grade 1 requirements for long life and reliability and offers a 10 year warranty.

With a full feature set and stylish design, Yale Works for YouSM.

Benefits

- **Reliable:** Adjustable spring power, latch and closing speeds ensure positive latching
- **Flexible:** Choice of standard or heavy-duty arms and adjustable spring power meets needs of any application
- **Hassle-Free Retrofits:** Easily replaces competitive closers
- **Strong and Durable:** ANSI/BHMA Grade 1 certified for long life

Certifications

- Certified to ANSI/BHMA A156.4, Grade 1
- UL and UL10C listed for 3-hour assemblies
- Meets requirements for Americans with Disabilities Act (ADA) and ANSI/BHMA standard A117.1

Features

- Adjustable spring sizes 1 - 6
- Cast iron closer body
- Standard and heavy-duty arms available as hold open or non-hold open
- Adjustments for backcheck, closing and latch speed
- Tri-packed for parallel, regular or top jamb installation
- Sleeve nuts and bolts provided with each closer
- Retrofit for LCN 4040/4041
- Non-handed
- Plastic cover
- 10 year warranty